

# PM 1/2 C

# PRISM Tap Range

## Prism Basin Taps Chrome



Specification	
Style:	Contemporary
Product Type:	Bathroom taps
Finish/Colour:	Chrome
Main Construction Material:	Brass
Mount Type:	Deck
Handle Type:	Paddle
Connection Inlet:	1/2" BSP
Number of Tap Holes Required:	2
Valve/Cartridge Type:	1/2" Ceramic Disc Valve
Plumbing System Suitability	All
Working Pressure Range:	Min 0.2 bar - Max 5 bar
Maximum Hot Water Temperature: °c	65
Maximum Dynamic Pressure: (bar)	5
Maximum Static Pressure: (bar)	10
Flow Type:	Single Flow
Flow Rate: (l/min @ 3 bar)	35
Connection Outlet:	M24 Flow Straightener
Isolation Included:	No

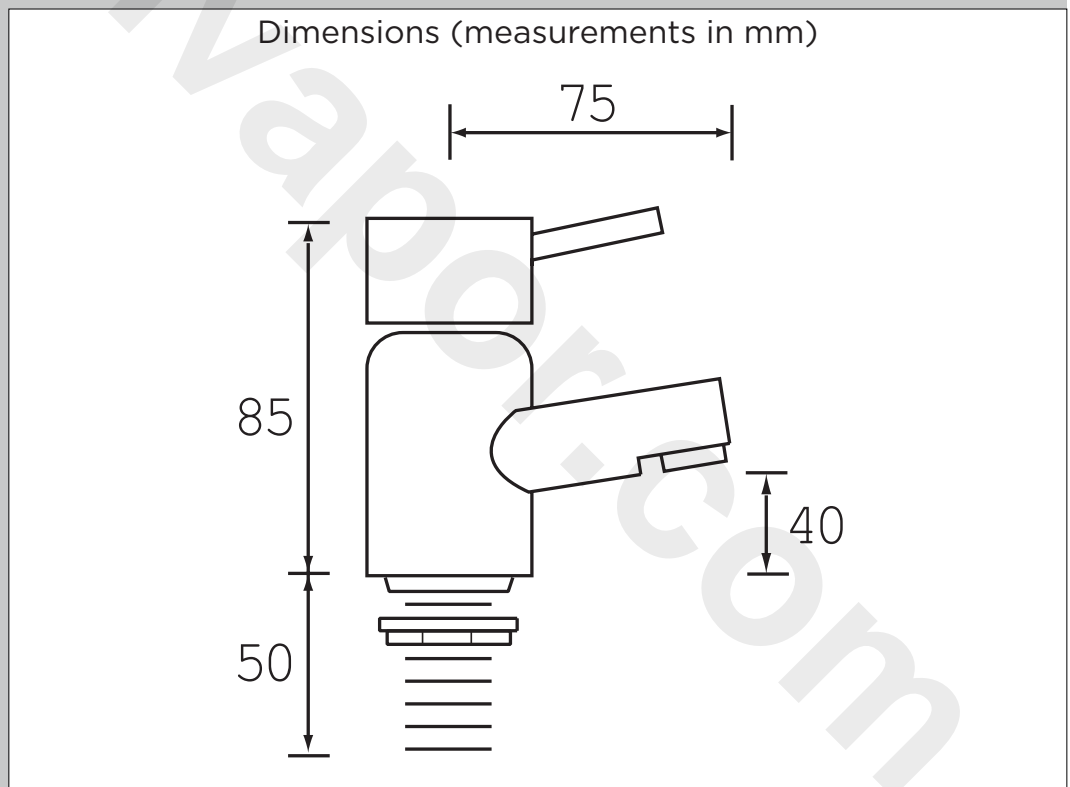
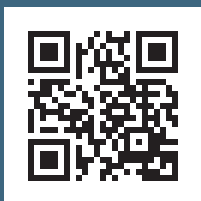
### Features:

- Brass construction
- Ceramic disc valve for smooth flow control
- Easy-to-use lever handles

### Product Certifications:



For more products, visit our website:



Flow Rates (l/min)						
System Pressure (bar)	0.2	0.5	1	2	3	5
PM 1/2 C	8.4	14	20.2	28.6	35	45.2

TECHNICAL  
DATA  
SHEET



**BRISTAN**  
TAPS & SHOWERS

D4